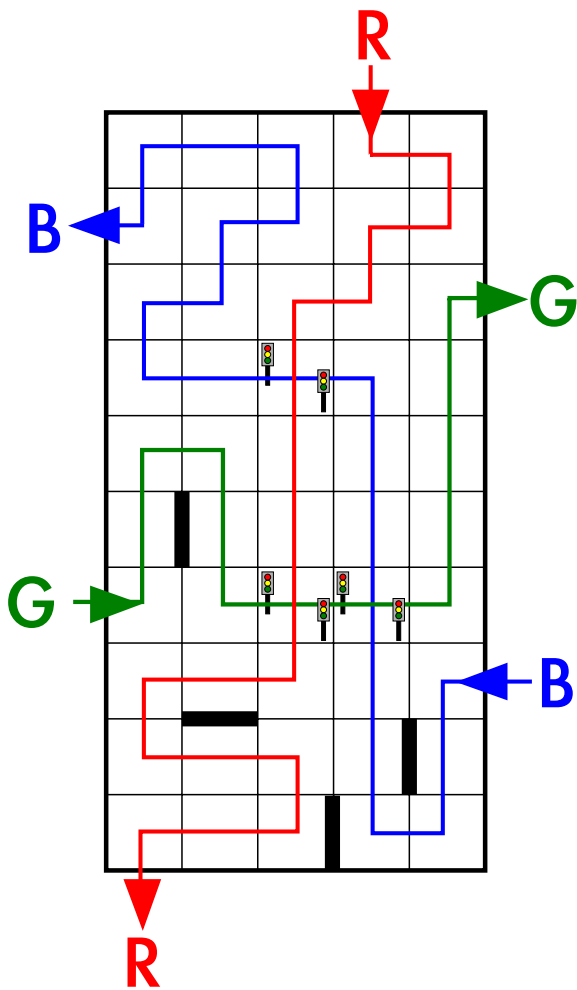


# PUZZLEBOMB SOLUTIONS

## PATHWINDER



PATHWINDER: devised by @stecks.

## WORD SLIDE

WORD SLIDE:  
created by  
@apaultaylor

computer = l a p t o p  
 actors = t r o u p e  
 player = s t e r e o  
 antelope = r e e b o k  
 mourned = g r i e v e  
 coveted = e n v i e d

## APIS CLUES

APIS CLUES:  
devised by @apisclues.

IMPACT, VELOCITY, ECLIPSE, ALPHA and IGNITE are all team names from The Apprentice (series 1 to 5 respectively.)

1. Naughty child brought before law's influence - IMPACT
2. French bike approaching Paris at speed - VELOCITY
3. Obscure body in high position docks point on both sides - ECLIPSE
4. Pub's coming in, according to letter - ALPHA
5. First letter's stolen from sign - for starters, is that easy to catch? - IGNITE