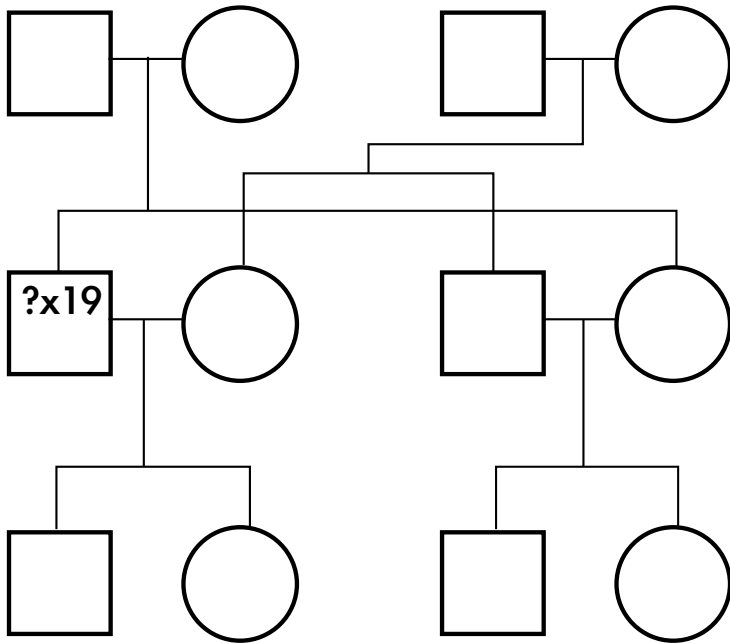


# PUZZLEBOMB



The fates of this family are controlled by their genes, which are each labelled by one of 8 distinct prime numbers. Each person has a pair of genes, inheriting one from each parent, and have no prime gene in common with their siblings.

Their age of death is precisely the product of their prime genes, never living more than 120 years, and in each of the six (adjacent) pairs, the women (circles) outlive the men (squares).

Can you work out how long each member of the family lived?

IN THEIR PRIME: devised by @outoffthenorm2.

## APIS CLUES

Here are five cryptic crossword clues. You must solve the clues, then find the connection between the answers.

APIS CLUES: devised by @apisclues.

1. Ocean where gold may be found without mining first (3)
2. Vermin swallowing backward Irish minister (6)
3. Disreputable stagecraft initially ignores unknown and keeps the best performers apart (5)
4. Betty Blind-Eye and Lucky Hearts playing the blues in Manchester (4)
5. Diplomats drunk a dram so after a fish supper? (11)

## SPELLING BEE

In each honeycomb find two paths, starting and ending in coloured cells and visiting every cell once, that each spell out a word or phrase. The bee hides two different letters.

SPELLING BEE:  
by @apaultaylor.



## IN THEIR PRIME

PUZZLEBOMB: assembled by @stecks.